

**AH19485**

400 series without secondary element,  
90° outlet

**AH19484**

400 series with secondary element,  
90° outlet

**Air Cleaner Data Sheet and  
Performance Curve**



**AH19485  
AH19484**



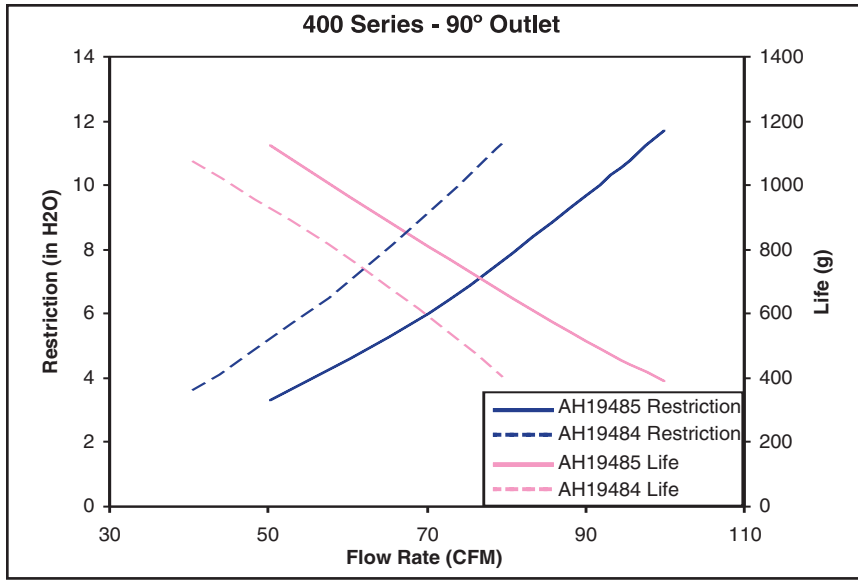
**AH19484**

# OptiAir™ Air Cleaner Data Sheet and Performance Curve

## AH19485/AH19484 400 Series - Preliminary Data

<b>Air Cleaner Model:</b>	AH19485	<b>Min CFM:</b>	38 cfm	<b>Max CFM:</b>	100 cfm	<b>Secondary Element:</b>	No
<b>Air Cleaner Model:</b>	AH19484	<b>Min CFM:</b>	25 cfm	<b>Max CFM:</b>	73 cfm	<b>Secondary Element:</b>	Yes
<b>Housing Material:</b>	Plastic	<b>Precleaner Integral:</b>	Yes	<b>Outlet:</b>	90° Elbow		

### General Performance Data (Per ISO 5011)



Efficiency: 99.98%

### Interpolated Data, AH19485:

Capacity		Flow Rate	
g/CFM	g/m <sup>3</sup> /min	CFM	m <sup>3</sup> /min
10	350	73	2.04
25	875	43	1.20

Restriction		Flow Rate	
in H2O	kPa	CFM	m <sup>3</sup> /min
6	1.49	69	1.93
8	1.99	80	2.24
10	2.49	92	2.58
12	2.99	100	2.80

### Interpolated Data, AH19484:

Capacity		Flow Rate	
g/CFM	g/m <sup>3</sup> /min	CFM	m <sup>3</sup> /min
10	350	66	1.85
25	875	43	1.20

Restriction		Flow Rate	
in H2O	kPa	CFM	m <sup>3</sup> /min
6	1.49	54	1.51
8	1.99	65	1.82
10	2.49	73	2.04
12	2.99	82	2.30

### Accessories

	Part #
Mounting Bracket P/N:	3918198S
Brackets Required:	1
Outlet Band Clamps:	3316654S
Weather Hood:	3918193S
Hump-Hose:	N/A
90° Elbow:	3316564S
90° Reducing Elbow:	N/A
Restriction Gauge:	3946326S

### Service Parts

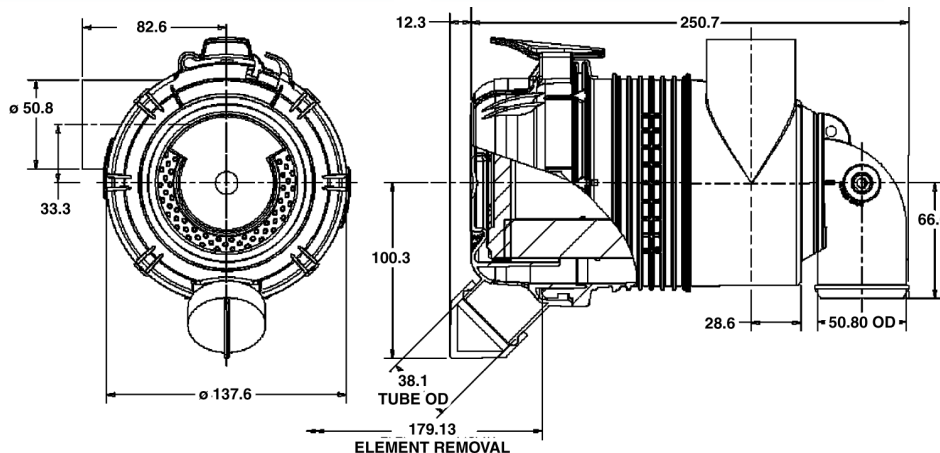
	Part #
Primary Element:	AF26116
Magnum Primary Element:	N/A
Safety Element:	AF26167
Dust Ejection Valve:	3947091S
Cover Assembly:	3946459S

### Conversion Information

1 in H2O = 0.249 kPa  
 1 CFM = 0.028 m<sup>3</sup>/min  
 1 g/CFM = 350 g/m<sup>3</sup>/min  
 1g = 0.001 kg

### Cover to Housing Latch Positions

3 Latch Positions



For more information, contact Customer Assistance at 1-800-22FILTER (1-800-223-4583), fax 1-800-999-8664 or visit us at [www.fleetguard.com](http://www.fleetguard.com) 24 hours a day!