

AH19487

500 series without secondary element,
90° outlet

AH19486

500 series with secondary element,
90° outlet

**Air Cleaner Data Sheet and
Performance Curve**



**AH19487
AH19486**



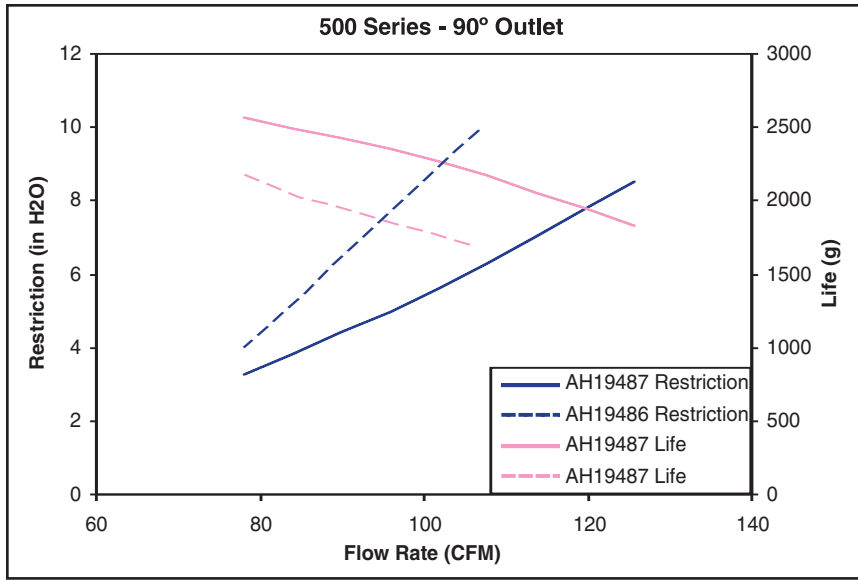
AH19486

OptiAir™ Air Cleaner Data Sheet and Performance Curve

AH19487/AH19486 500 Series - Preliminary Data

Air Cleaner Model:	AH19487	Min CFM:	58 cfm	Max CFM:	148 cfm	Secondary Element:	No
Air Cleaner Model:	AH19486	Min CFM:	65 cfm	Max CFM:	112 cfm	Secondary Element:	Yes
Housing Material:	Plastic	Precleaner Integral:	Yes	Outlet:	90° Elbow		

General Performance Data (Per ISO 5011)



Efficiency: 99.98%

Interpolated Data, AH19487:

Capacity		Flow Rate	
g/CFM	g/m ³ /min	CFM	m ³ /min
10	350	146	4.09
25	875	93.7	2.62

Restriction		Flow Rate	
in H ₂ O	kPa	CFM	m ³ /min
6	1.49	102	2.86
8	1.99	121	3.39
10	1.59	133	3.72
12	1.99	148	4.14

Interpolated Data, AH19486:

Capacity		Flow Rate	
g/CFM	g/m ³ /min	CFM	m ³ /min
10	350	128	3.58
25	875	82	2.30

Restriction		Flow Rate	
in H ₂ O	kPa	CFM	m ³ /min
6	1.49	85	2.38
8	1.99	94	2.63
10	2.49	105	2.94
12	2.99	112	3.14

Accessories

	Part #
Mounting Bracket:	3918198S
Brackets Required:	1
Outlet Band Clamps:	3316654S
Weather Hood:	3918193S
Hump-Hose:	N/A
90° Elbow:	3316565S
90° Reducing Elbow:	N/A
Restriction Gauge:	3946326S

Service Parts

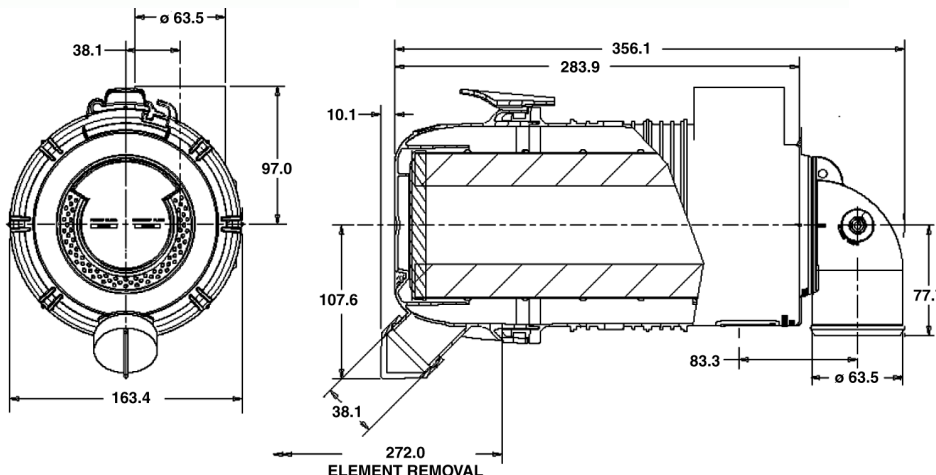
	Part #
Primary Element:	AF26168
Magnum Primary Element:	N/A
Safety Element:	AF26166
Dust Ejection Valve:	3947091S
Cover Assembly:	3946460S

Conversion Information

1 in H₂O = 0.249 kPa
 1 CFM = 0.028 m³/min
 1 g/CFM = 350 g/m³/min
 1g = 0.001 kg

Cover to Housing Latch Positions

3 Latch Positions



For more information, contact Customer Assistance at 1-800-22FILTER (1-800-223-4583), fax 1-800-999-8664 or visit us at www.fleetguard.com 24 hours a day!